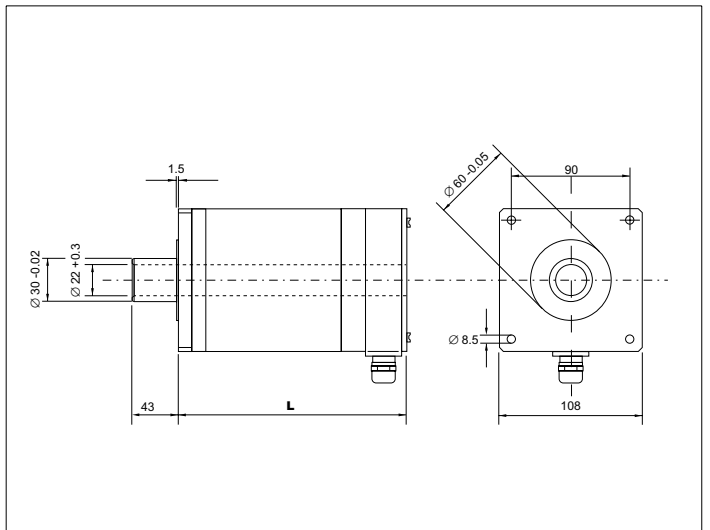
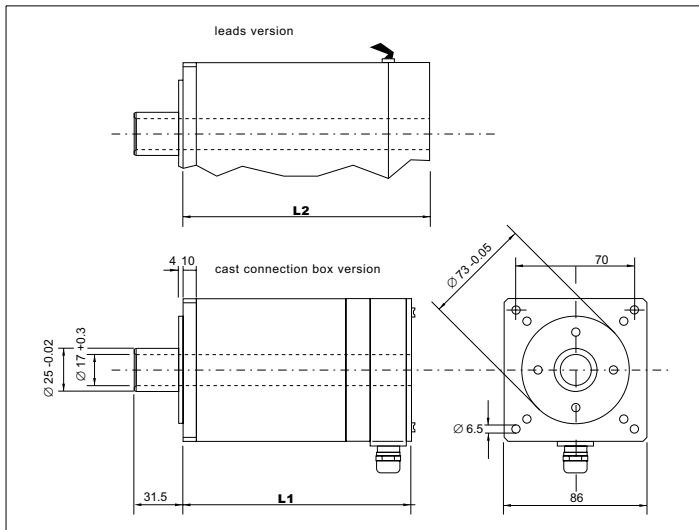


20 series SM hollow shaft

series SMH 88

series SMH 107



series	type	L1±1 [mm]	L2±1 [mm]
SMH 88	SMH 88.1.18M ...	112.5	87
	SMH 88.2.18M ...	144.5	119
	SMH 88.3.18M ...	176.5	151
	SMH 88.4.18M ...	208.5	183

series	type	L±1 [mm]
SMH 107	SMH 107.1.18M ...	140
	SMH 107.2.18M ...	190
	SMH 107.3.18M ...	240
	SMH 107.4.18M ...	290

all dimensions in mm

all dimensions in mm

Type key

SMH . . 18M

type	88 107	length (quantity of stacks)	1 2 3 4	connection	L X Y (without indication)	Options	W Z x	double shaft end customer specific version (No. x will be specified by STÖGRA)	
						phase current in A/Ph		2 until 12	depending on motor type – see electrical specifications

examples for ordering key: SMH 88.2.18ML4

SMH 107.3.18M12

Electrical and mechanical specifications and max. operating torques for series SMH 88 are identical to series SM 88 (see page 7 and pages 12 to 13). For series SMH 107 the specifications are identical to series SM 107.